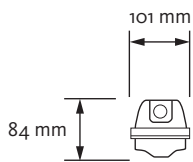
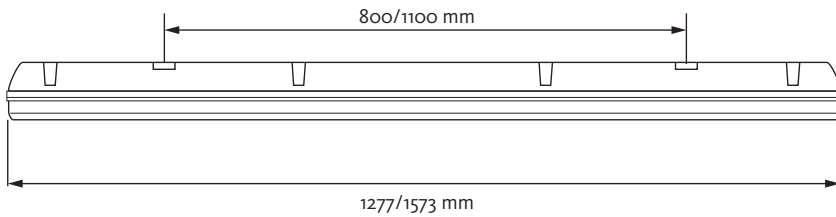


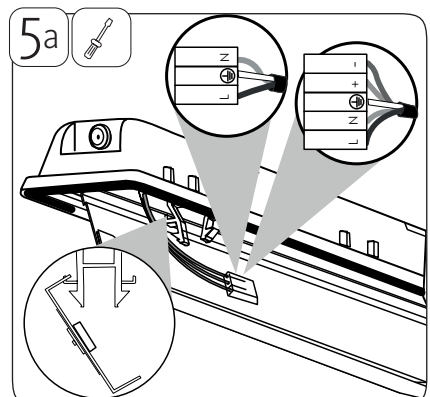
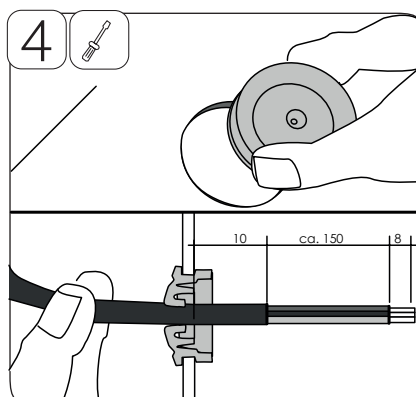
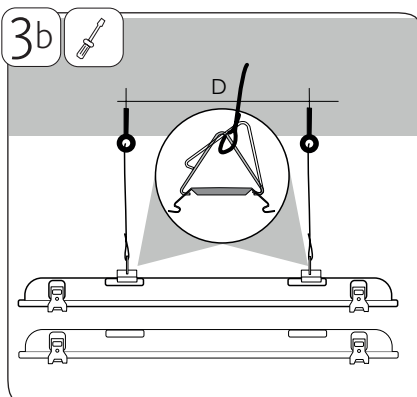
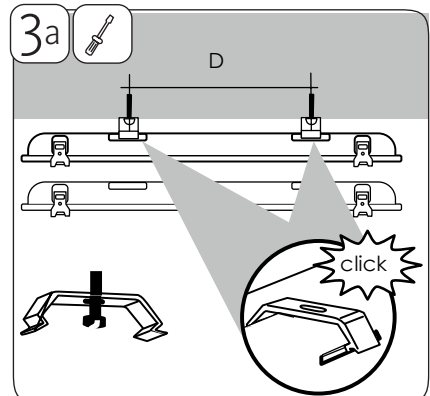
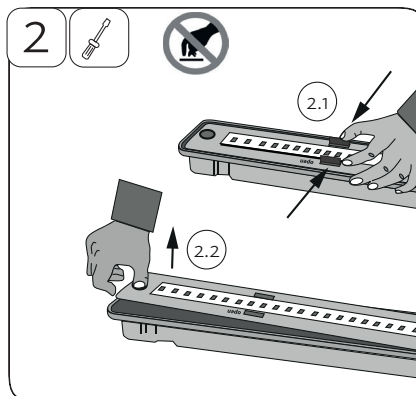
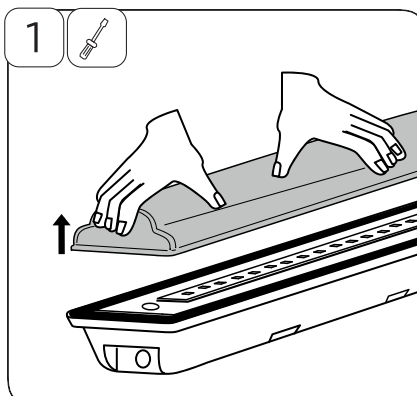
# Alekza

## Installation manual



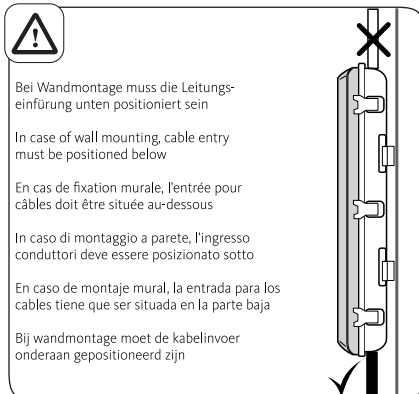
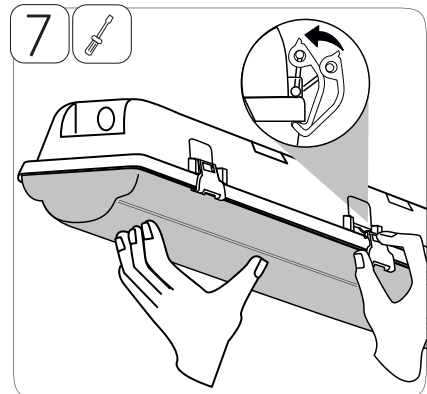
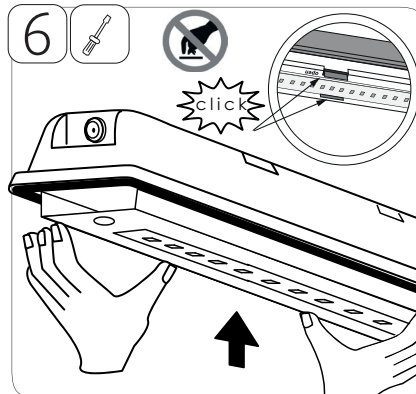
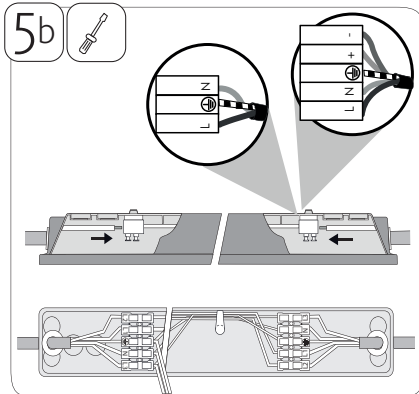
DIMENSIONS	TYPE	L	W	H	C-C*	kg
	Alekza 39W	1277	101	84	800	2,0
Alekza 49W	1573	101	84	1100	2,4	

\*+/- 20 mm



# Alekza

## Installation manual



### Intended use

The luminaire is meant for standard use in damp environments and in outdoor areas which are covered by roofs at an ambient temperature of  $t_a$   $-25^{\circ}\text{C}$  to  $+30^{\circ}\text{C}$ .

The luminaire is unsuitable for corrosive atmospheres (e.g. swimming pools, intensive animal husbandry, tunnels). The luminaire is suited for further wiring.

### Safety notes

These instructions assume expert knowledge corresponding to a completed professional education as an electrician.

• Never work when voltage is present on the luminaire.

Caution – risk of fatal injury!

• Attention - do not touch the LEDs, it avoids ESD damage.

• LED class 0.

• Luminaire type plates have the D designation and are suitable for installation in work locations at risk of fire from dust or fibres.

### Important information regarding Electronic Control Gear (ECG)

• Interruption of the neutral conductor in a three-phase system may result in surge-related damage in the lighting installation. Only open neutral conductor-disconnect terminal when disconnected from power supply and close prior to switching back on.

• The maximum admissible ambient temperature  $t_a$  of the luminaire may not be exceeded. Surpassing that temperature reduces the service life and, in extreme cases, poses risk of early failure.

• Use mains cables for control inputs of dimmable ECG (1...10 V, DALI, etcetera) which are rated for 230V.

Keep these instructions for future maintenance work or dismantling.

